



Product Information

OPAL

OM/OMC



Medium Level Order Picking Truck

Auxiliary lift versions

The OM-series offers a complete range of pickers which suits a variety of operations in food distribution as well as other industries such as the distribution of household appliances, automotive parts, pharmaceuticals, electronics etc.



- OPTIPACE allows maximum acceleration rate and travel speed at all heights. The system continuously monitors the position of the truck and cab height and at all times optimizes speed and acceleration accordingly.
- Spacious cab with short distance between the cab and the load carrier, minimizing risk of repetitive strain and maximizing productivity. The electronic controls, instruments and back rest can be switched from the front to the rear of the cab in less than a minute. Controls and back rest are adjustable in height.
- Display showing lift height, clock, battery status, drive wheel position, warnings and error codes etc.
- Stable gates with folding threshold together with a flat floor allows comfortable and safe picking throughout the shift.
- The compact size of the truck in combination with the advanced BT electronic steering and fingertip touch controls, facilitates fine positioning and confident driving in or outside of the aisle.
- The visibility through the mast is exceptionally good.
- A complete auto test routine is carried out every time the machine is turned on. Continuous repetition during operation ensures safety.
- The service and maintenance is straight forward with easy access to all components. LEDs and a digital display allow rapid fault diagnosis. BT Control enables programming of e.g. maximum speed acceleration rate, retardation rate and steering characteristics.
- Walk through platform versions (OMW) for handling of bulky articles, with platforms adapted to the application.
- Rail guidance, wire guidance, cold store versions and other options are available on request.



Technical Details		OMC	OM
Power unit		electrical, battery	
Operating type		stand on	
Rated capacity	kg	850/1000	850/1000
Load centre	mm	600/500	600/500
Wheel type, fork side/drive wheel side		polyurethane	
Wheel dimension, fork side	mm	Ø 230 x 85	Ø 230 x 85
Wheel dimension, drive wheel side	mm	Ø 250 x 75	Ø 250 x 75
Number of wheels, fork side/drive wheel side		2/1	2/1
Travel speed, without/with rated load	km/h	9/9	9/9
Service brake, hand operated		2 stage electromagnetic brake	
Parking brake, (dead man's grip)		2 stage electromagnetic brake	
Lift speed, without/with rated load	m/s	0,25/0,20	0,25/0,20
Lowering speed, without/with rated load	m/s	0,37/0,40	0,37/0,40
Drive motor/Intermittent rating	kW/%	1,8/60	1,8/60
Lift motor/Intermittent rating	kW/%	5,0/20	5,0/20
Battery weight	kg	360—500	360—500
Weight without battery	kg	1365	1625 ¹⁾
Battery (5h discharge)	V/Ah	24/480—600	24/480—600
Steering system		electronic power steering	
Speed control, number of steps		transistor, stepless	

1) $h_{12} = 4200\text{mm}$, $b_1 = 970\text{mm}$

Dimensions, mm		OMC	OM
x	Front axle to fork back	225 ²⁾	225 ²⁾
y	Wheel base	1441	1441
h_7	Instep height	300	300
b_{10}	Track width fork side c/c	850	850
z_{11}	Width between rails, min	$b_1 + 200/230$ ¹⁾	$b_1 + 200/230$ ¹⁾
h_{13}	Height of lowered fork	80	80
l_2	Truck length incl. back of fork	1870 ²⁾	1870 ²⁾
l_{20}	Cab length, floor	700	700
l_{24}	Entrance width	590	425
b_1	Chassis, width	970	970
b_2	Cab width	970/1200/1400	1000/1200/1400
s	Fork thickness	62	62
e	Fork width	115	115
l	Fork length	800/1000/1150	800/1000/1150
b_5	Width across fork	560/685/776	560/685/776
m_2	Floor clearance mid wheelbase	60 ³⁾	60 ³⁾
W_a	Turning radius	1660	1660
h_6	Height of cab	1450	2390
h_{21}	Height of cab inside	—	2030
h_{22}	Height of cab sides	900	900

1) Depending on type of rails (low profile rails: +200mm, high profile: +230mm)

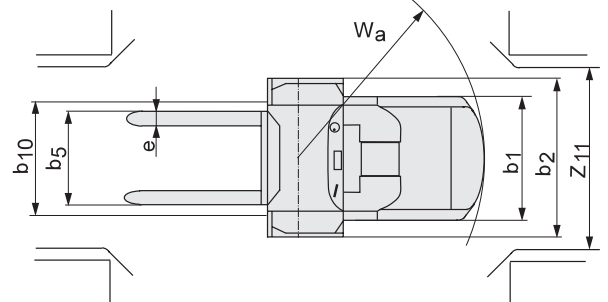
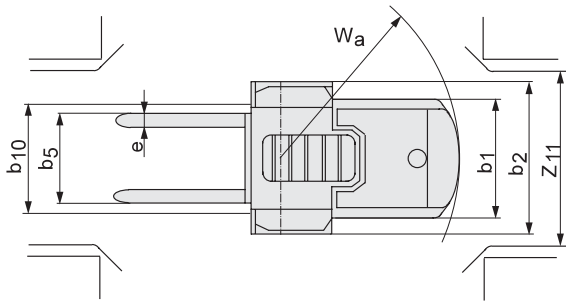
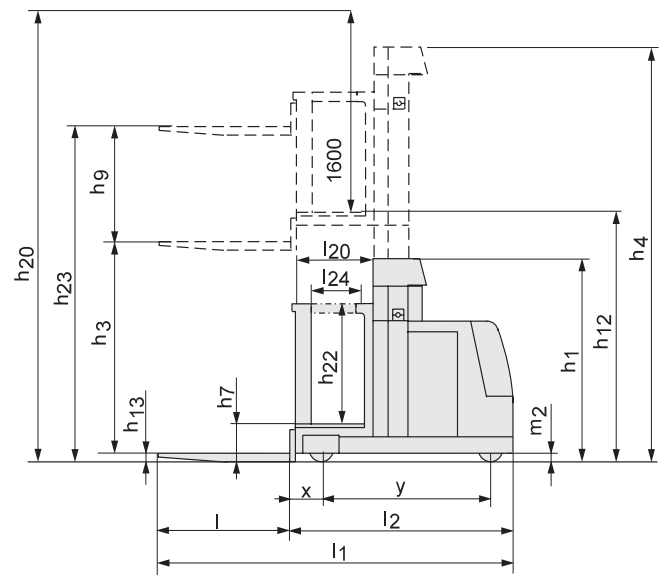
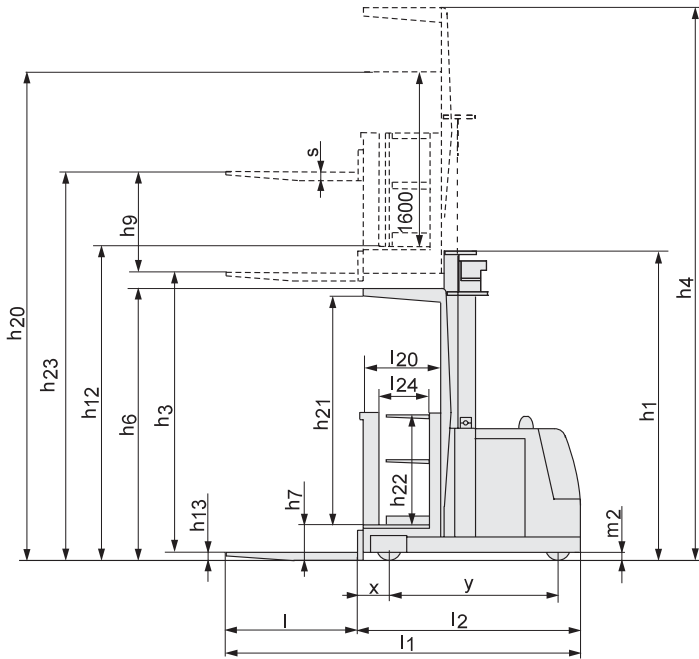
2) With adjustable fork add 38 mm to l_2 and x

3) 25 mm if wire guided

Mast, mm		OMC	OM				
h_{12}	Platform height	1750	2000	2950	3600	4200	4700
h_1	Height of truck, min.	1460	2400	2400	2400	2650	2900
h_3	Lift movement	1450	1700	2650	3300	3900	4400
h_4	Height of truck, max.	2940	4150	5080	5760	6350	6850
h_9	Auxiliary lift movement	795	795	795	795	795	795
h_{20}	Picking height	3350	3600	4550	5200	5800	6300
h_{23}	Total lift height ¹⁾	2325	2575	3525	4175	4775	5275

1) $h_{23} = h_3 + h_9 + h_{13}$

Truck performance and dimensions are nominal and subject to tolerances.
 BT Products AB products and specifications are subject to change without notice.
 All data is based on VDI 2198.





BT
SE-595 81 Mjölby Sweden
Tel: +46 (0)142 860 00
Fax: +46 (0) 142 866 00
Email: info@bt-forklifts.com
www.bt-forklifts.com



Handling innovation